

Installation Instruction

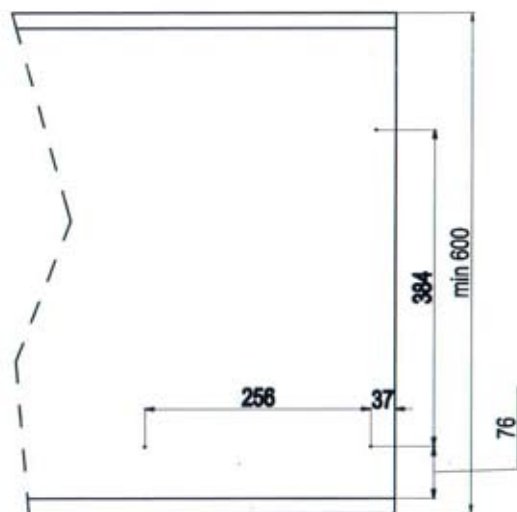
For basket with 27mm ball bearing slide



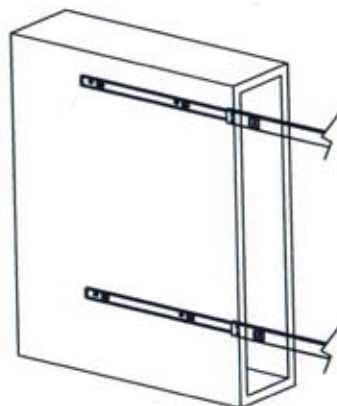
Cabinet Width	Product Size
150mm	100*480*460
200mm	145*480*460

No.	Description	Photo	Qty
A	ST4*16 Pan head tapping screw		12
B	M6 screw		4
C	L480 single extension ball bearing slide		1 set

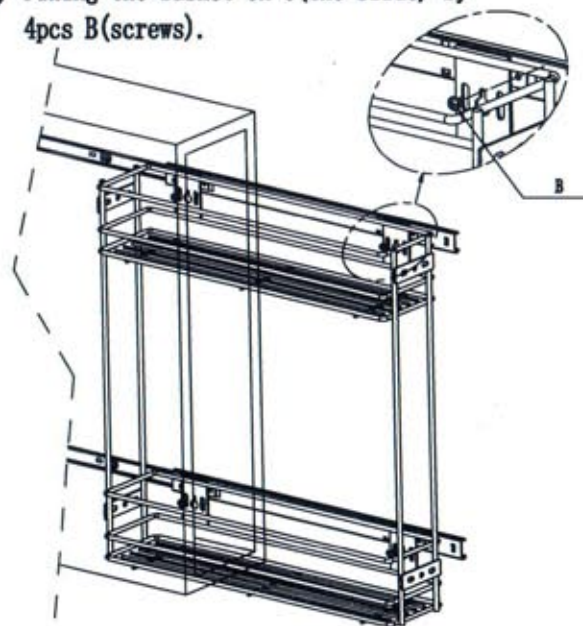
- ① Making 6* ϕ 2.5mm hole on size panel of cabinet per below drawing size.



- ② Fixing C (the slide) on the size panel of cabinet by 6pcs A (screws).

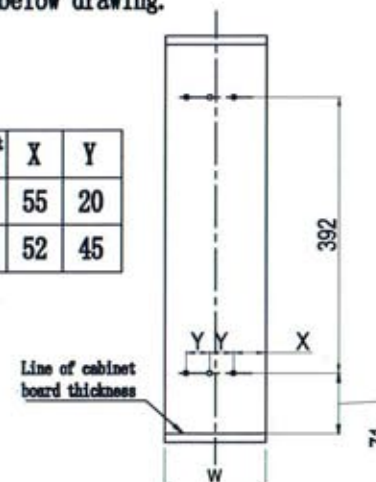


- ③ Fixing the basket on C (the slide) by 4pcs B (screws).



- ④ Making 6* ϕ 2.5mm hole on door per below drawing.

Cabinet Width	X	Y
150	55	20
200	52	45



- ⑤ Fixing the door with 6pcs A (screws).

